

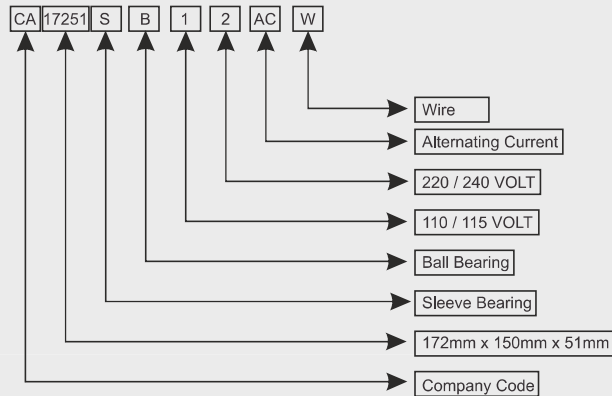
### Item Description :-

1. Motor Design :- Shaded Pole Motor
2. Bearing Type :- Sleeve / Ball
3. Dielectric Strength :- AC 1500V for 60 Second
4. Motor Protection :- Impedance protected
5. Housing :- Aluminium Die Cast (ADC - 12)
6. Impellor :- Nylon 66
7. Operating Temperature :- - 10 to 70°C For Sleeve Bearing  
- 15 to 70°C For Ball Bearing
8. Operating Voltage :- 110VAC (85 ~ 125VAC)  
220VAC (185 ~ 245VAC)

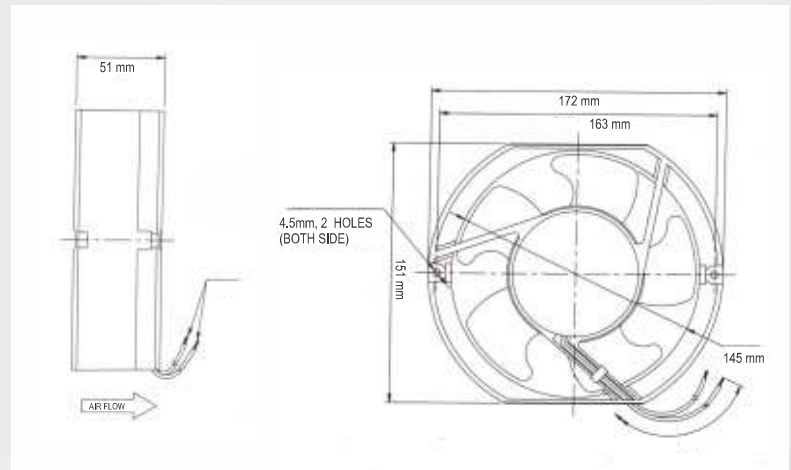


**Fan Size - 6 Inch RD**  
**172 x 150 x 51mm**

### Model Description :-



### Technical Specification:-



### Electrical Parameter :-

Model No.	Voltage	Frequency	Input Power	Speed	Current	Air Flow	Static Pressure	Noise	Bearing
(CA)	(VAC)	(Hz)	(Watt)	(RPM)	(Amp)	(CFM)	(mm H <sub>2</sub> O)	(dBA)	(S/B)
CA-172 51 S2 W	220	50 / 60	30 / 28	2550 / 2750	0.2 / 0.19	190 / 205	12.3 / 9.8	51 / 54	Sleeve
CA-172 51 B2 W	220	50 / 60	30 / 28	2650 / 2800	0.2 / 0.19	195 / 205	12.3 / 9.8	51 / 54	Ball

**Additional Benefit's = Available Quantity As Per Requirement.**  
**Also Available 110 Volt.**

\* Specifications Subject to Change Without Notice

### Item Description :-

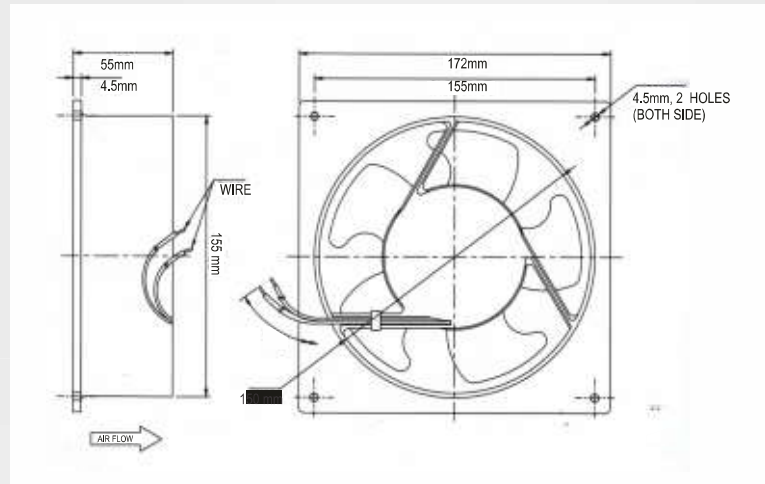
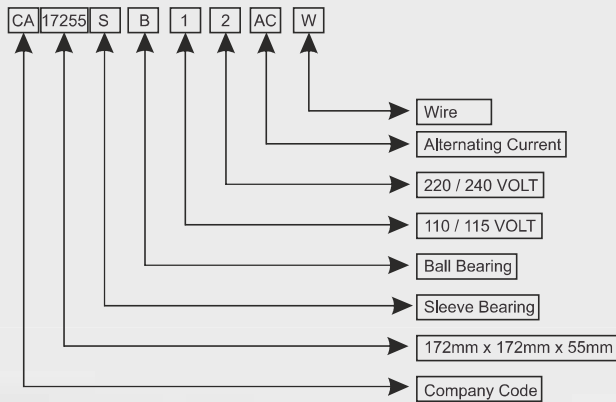
- 1. Motor Design :- Shaded Pole Motor
- 2. Bearing Type :- Sleeve / Ball
- 3. Dielectric Strength :- AC 1500V for 60 Second
- 4. Motor Protection :- Impedance protected
- 5. Housing :- Aluminium Die Cast (ADC - 12)
- 6. Impellor :- Nylon 66
- 7. Operating Temperature :- - 10 to 70°C For Sleeve Bearing  
- 15 to 70°C For Ball Bearing
- 8. Operating Voltage :- 110VAC (85 ~ 125VAC)  
220VAC (185 ~ 245VAC)



**Fan Size - 6 Inch SQ/RD**  
**172 x 172 x 55mm**

### Model Description :-

### Technical Specification:-



### Electrical Parameter :-

Model No.	Voltage	Frequency	Input Power	Speed	Current	Air Flow	Static Pressure	Noise	Bearing
(CA)	(VAC)	(Hz)	(Watt)	(RPM)	(Amp)	(CFM)	(mm H <sub>2</sub> O)	(dBA)	(S/B)
CA-172 55 S2 W	220	50 / 60	30 / 28	2550 / 2750	0.2 / 0.19	190 / 205	12.3 / 9.8	51 / 54	Sleeve
CA-172 55 B2 W	220	50 / 60	30 / 28	2650 / 2800	0.2 / 0.19	195 / 205	12.3 / 9.8	51 / 54	Ball

Additional Benefit's = Available Quantity As Per Requirement.  
Also Available 110 Volt.

\* Specifications Subject to Change Without Notice