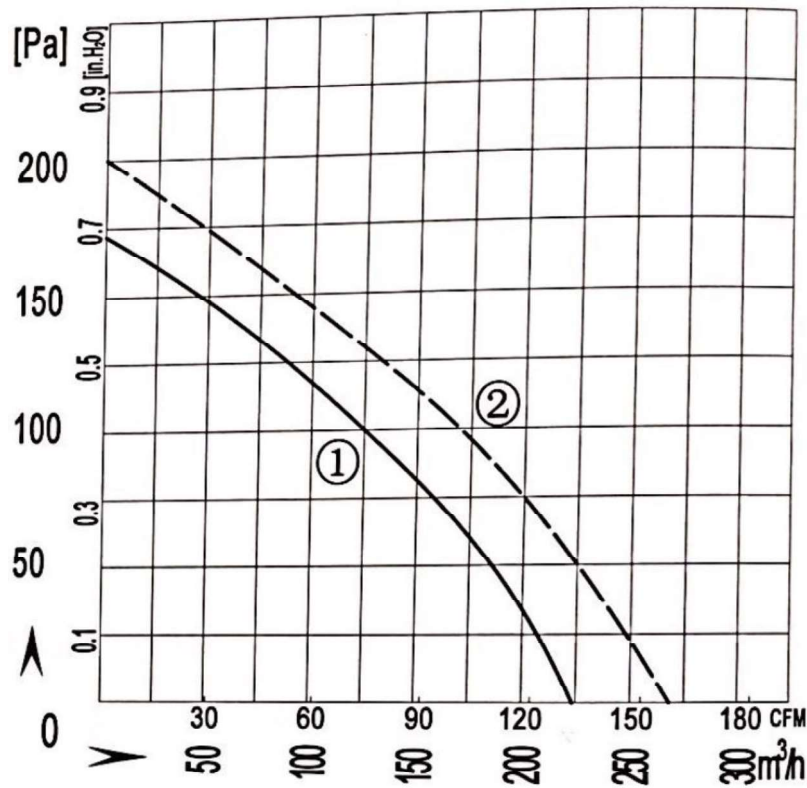
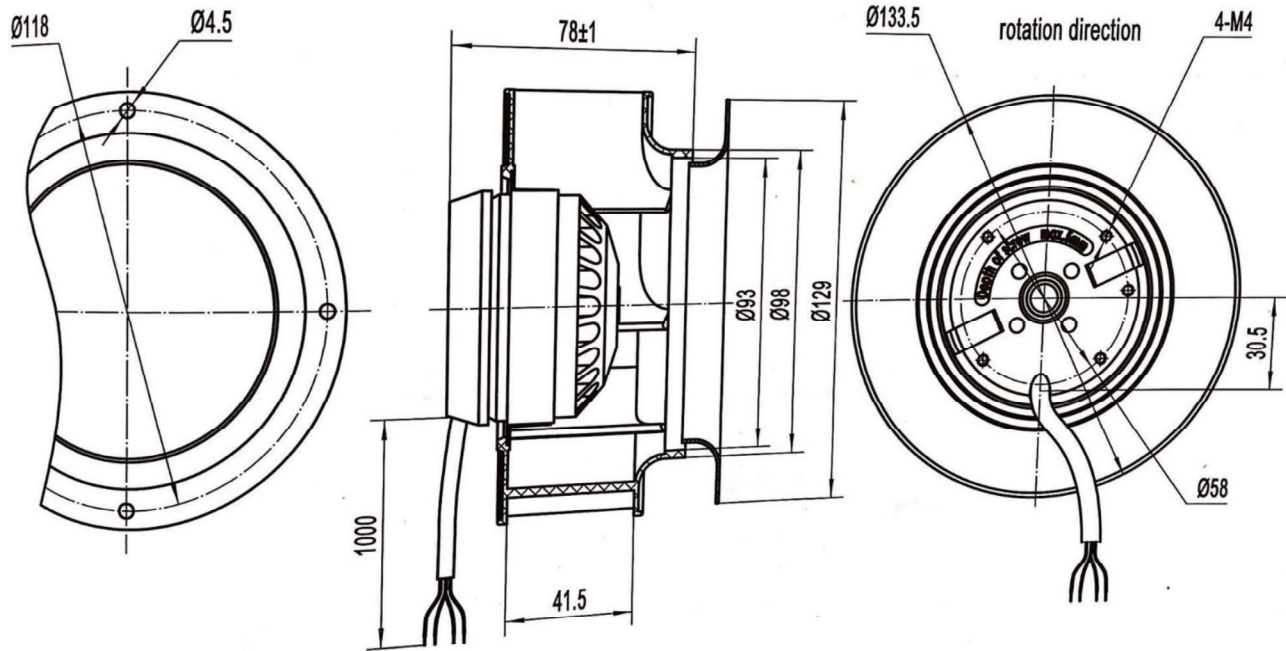


I. $\Phi 133$ -H60 centrifugal fan backward



Model	V	Hz	m ³ /h	rpm	W	A	μ F	dB/A	Kg	Curve
KB2D133-60P	220	50	220	2700	30	0.14	1.5	51	0.8	①
		60	270	3200	33	0.15		57		②